

4 port 20~24dbm with wdm edfa

Operating Manual

High power amplifier

Catalogue

1. Using Safety Precautions-----	3
2. Starting up -----	6
3. Equipment Powered Instructions-----	6
4. LED/ Key Description-----	7
5. Display Menu Description-----	8
6. Indicator-----	10

1. Using Safety Precautions

Before installing and using this product, please read the following carefully. The Company does not assume any responsibility for any loss due to security breaches caused.



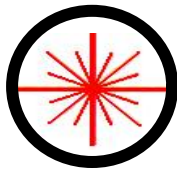
Lasers and erbium-doped fiber amplifier output power laser radiation is not visible, can not look directly at the device connector end when it works to avoid burning eyes and skin.



Equipment includes precision optics, in order to avoid damage to the severe impact of its constitution, please avoid excessive vibration and impact. Pigtail easily sacrificed, so be careful.



Equipment containing electrostatic sensitive devices, handle it carefully and make sure the ground is good, the power supply is normal.



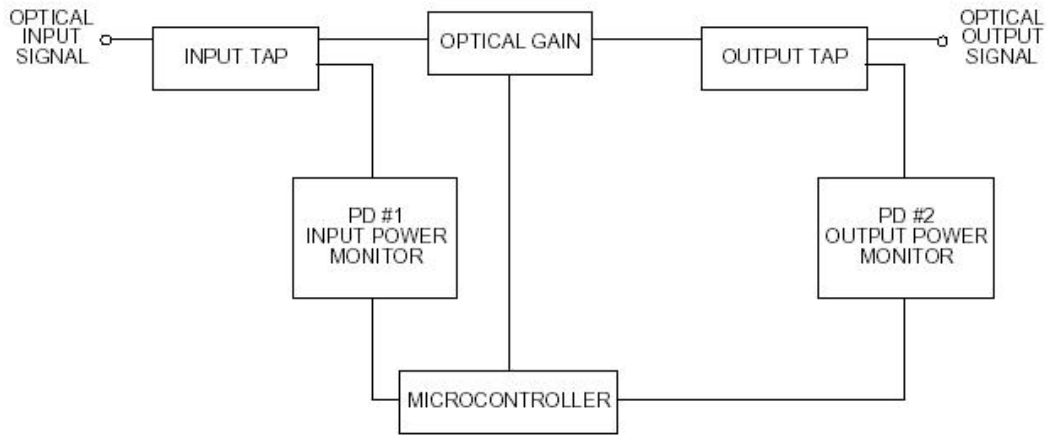
Attention of optic fiber end face:

- 1、 Before using, please be sure to keep the input and output end face of the optic fiber clean, especially if the output end face is dirt, then it is easy to make the output end face burned and the output power will be decreasing. When cleaning the optical fiber end face or insert patch cords, please turn off the input light first.
- 2、 The correct order of plugging optical port is:
Inserting: first insert optical patch cord of output port, then insert optical patch cord of input port.
Pulling out: first pull optical patch cord of input port, then pull optical patch cord of output port.
- 3、 This kind amplifier is a high precision and high stability product, in order to have high stability output power, please use optical patch cord with good quality and which connectors are match with the device to connect with the output port. In principle, the optical patch cord should be as short as possible, and do not let it voluntary movement.



If there are any questions, please contact our company. Do not disassemble the module, otherwise it will cause irreparable damage.

Internal structure diagram



Front-panel



Back-panel



2. Starting up

Before starting up, Please check the input voltage to the rated input voltage, grounding is good.

The product adopts independent 220 VAC power supply.

3. Equipment Powered Instructions

Special Note:

1. The power module must be properly inserted in the device, so it can be supplied power.
2. Do not insert the charged power module into the device directly.

4. LED/ Key Description

- ▲ key : Upper button. Press this button can check each parameter of products from bottom to top.
- ▼ key : Down button. Press this button can check each parameter of products from top to bottom.
- ▶ key : Menu button. Press it can enter the menu.
- ◀ key : Return button. Press it can return to the standby screen.

5. Display Menu Description

- (1) Display device startup process when power on:

High Power Amplifier

- (2) Press the Menu button to display products model:

MODEL : YTEDFA1550

- (3) Press the down button to display internal temperature:

INTERNAL TEMP **°C

- (4) Press the down button to display the current of pump 1:

LD1 CURRENT *MA**

- (5) Press the down key to display the cooling current of pump 1:

TEC1 CURRENT *MA**

- (6) Press the down button to display the current of pump 2:

LD2 CURRENT *.* A

- (7) Press the down button to display the temperature of pump 2:

LD2 COOLER *.* °C

- (8) Press the down button to display the operating current of pump 3:

LD3	Current	*.* A
-----	---------	-------

- (9) Press the down button to display the temperature of pump tube 3:

LD3	COOLER	**.*°C
------------	---------------	---------------

- (10) Press the down button to display input optical power:

Input	*.**mW	*.*dBm
-------	--------	--------

- (11) Press the down button to display output optical power:

OUTPUT	***MW	**.*DBM
---------------	--------------	----------------

- (12) Press the down button to display working status:

AGC	Conerol	***
-----	---------	-----

In this screen, press the Menu button to display "ON" opens AGC function . If a high-power pump is damage, the other pump will increase the pumping power automatically to maintain the stability of output power. Press the Return key to display "OFF", this function is off.

- (13) Press the down button to display the status of the pump:

PUMP	CONTROL	**
-------------	----------------	-----------

In this screen, press the Menu button to display "ON" pump working.
Press the Return key to display "OFF" pumped off.

6. Indicator

- **Pump1:** Pump 1 indicator off is normal, pump 1 flashing is alarming.
- **Pump2:** Pump 2 indicator off is normal, pump 2 flashing is alarming.
- **Alarm:** Alarm Indicator: input and output light turns red when alarming.
- **AGC :** When the AGC function is turned on the light turns green.

Laser Safety Information

Class IV laser products.

9 μ m/125 μ m single-mode fiber pigtail with connector.

Wavelength=0.90~1.68 μ m

Maximum Power=10W

↙

Caution: Use of controls, adjustments, and procedures other than those specified herein may result in hazardous laser radiation exposure.↘

